

For reference only. See data sheet for the detailed specifications.

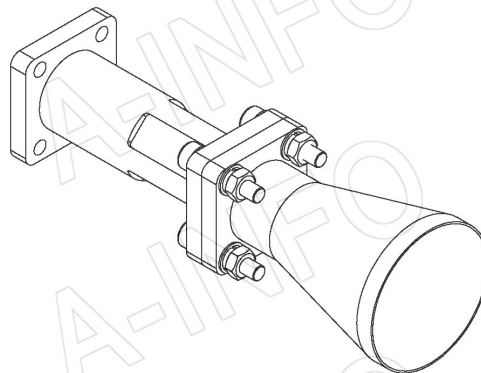
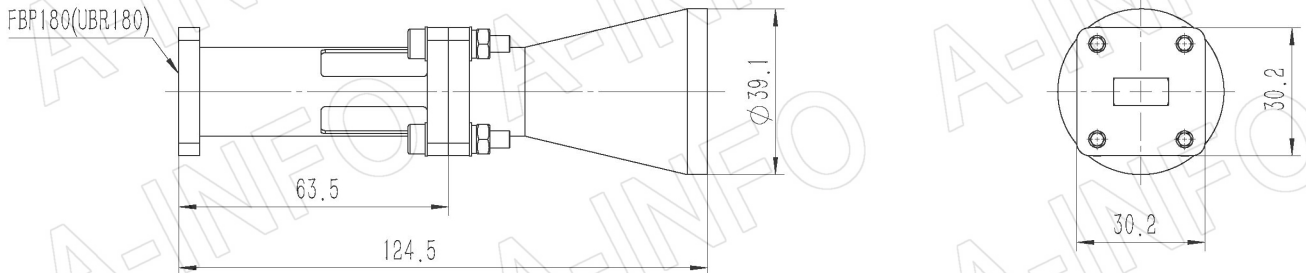
## Technical Specification



Frequency Range(GHz)	15.0 – 22.0
Waveguide	WR51
Gain(dBi)	15 Typ.
Polarization	Linear
3dB Beamwidth(deg)	E Plane: 25 Typ.
	H Plane: 31 Typ.
Cross Pol. Isolation(dB)	40 Typ.
VSWR	A Type: 1.20:1 Max.
	C Type: 1.40:1 Max.
Output	A Type: FBP180(UBR180)
	C Type: SMA-Female
Material	Al
Finish	Sliver Plated, Gray Paint
Size(mm)	A Type: 39.1 x 39.1 x 124.5
	C Type: 39.1 x 39.1 x 151.5
Net Weight(Kg)	A Type: 0.10 Around
	C Type: 0.21 Around

## Outline Drawing (Size: mm)

FBP180 Output (P/N: LB-CNH-51-15-A)



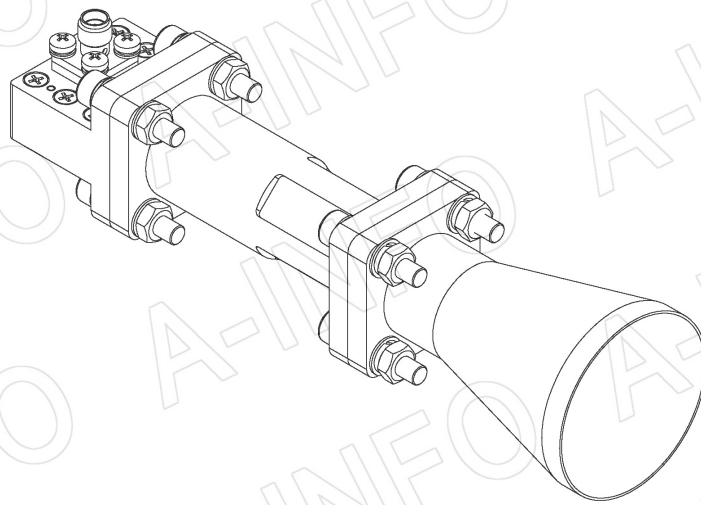
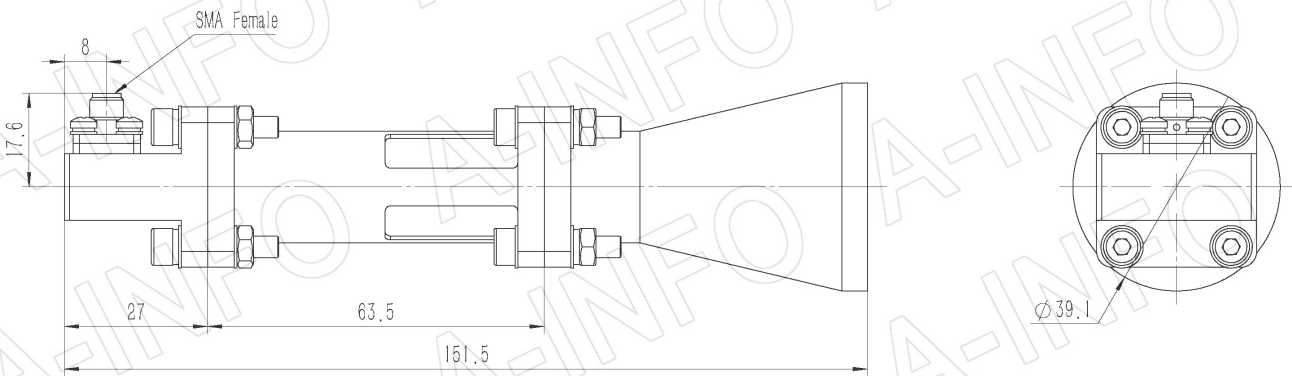
## AINFO Inc.

China(Beijing): Tel: (+86) 10-6266-7326,  
China(Chengdu): Tel: (+86) 28-8519-2786,  
USA: Tel: (+1) 949-639-9688,

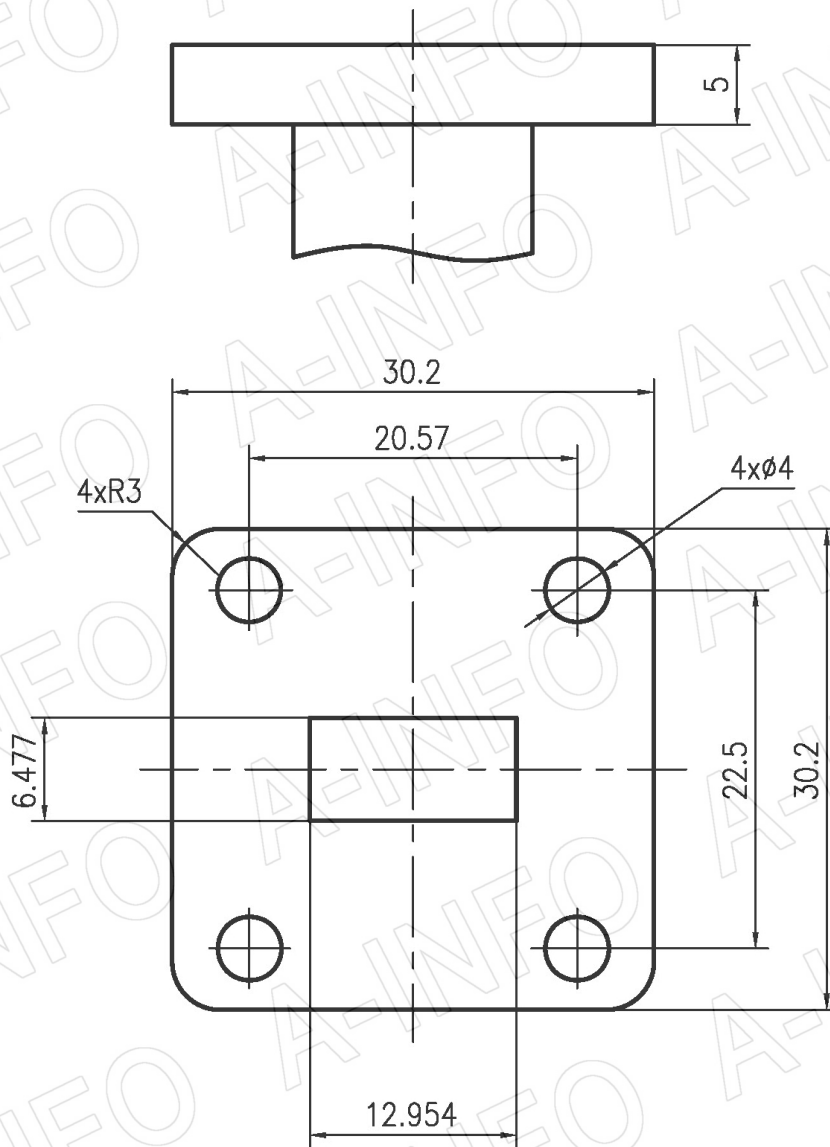
Page 1 of 9  
(+86) 10-6266-7327 Fax: (+86) 10-6266-7379  
(+86) 28-8519-3044 Fax: (+86) 28-8519-3068  
(+1) 949-639-9608 Fax: (+1) 949-639-9670

Website: [www.ainfoinc.com](http://www.ainfoinc.com)  
Email: [sales@ainfoinc.com](mailto:sales@ainfoinc.com)

## SMA-Female Output (P/N:LB-CN-51-15-C-SF)



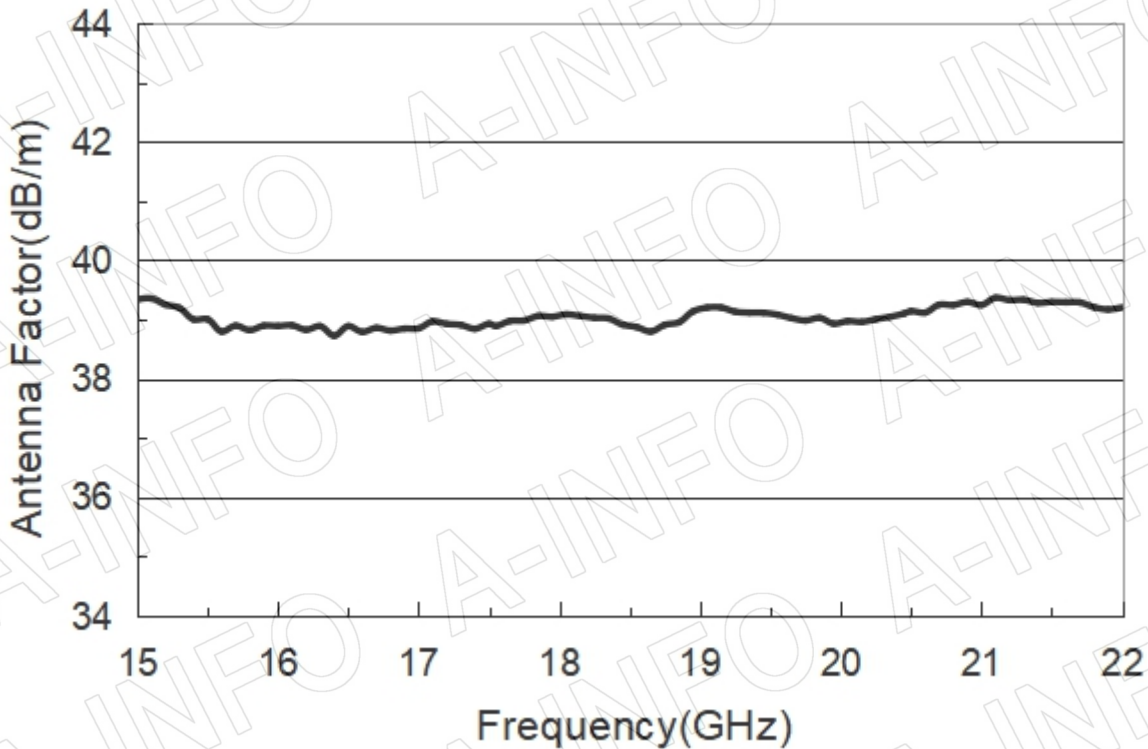
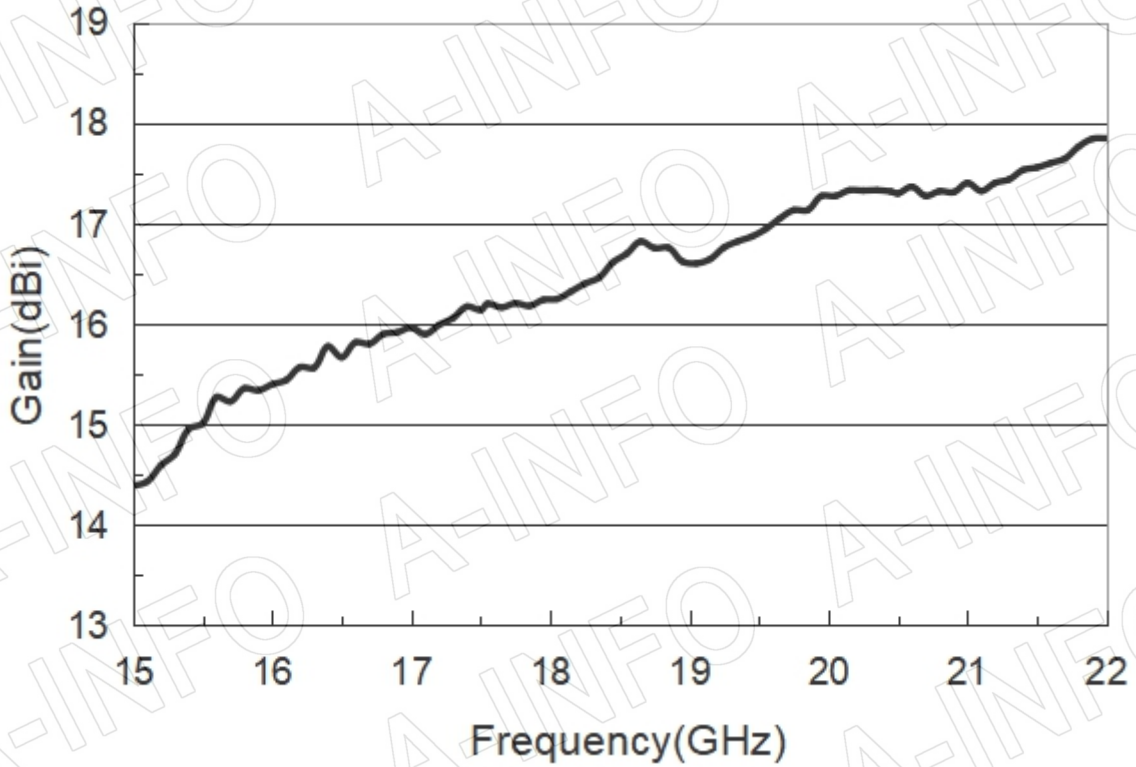
## Flange Drawing (Size: mm)



**FBP180**

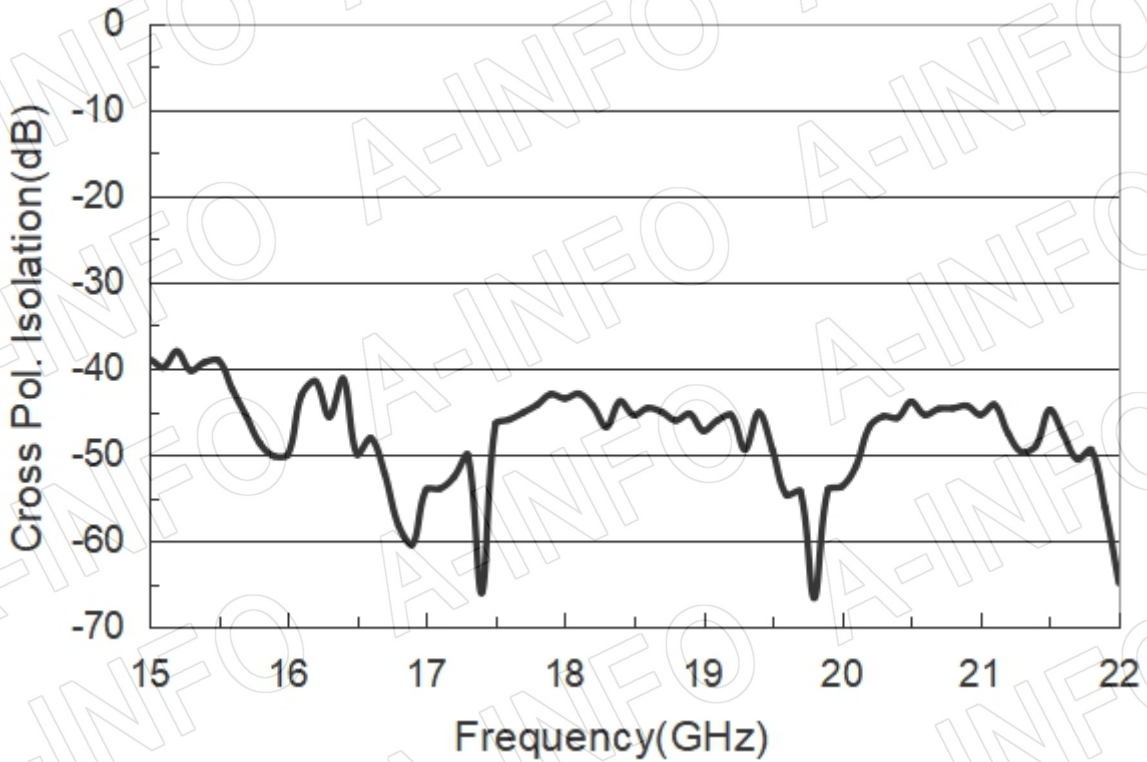
## Test Results

### 1. Gain & Antenna Factor

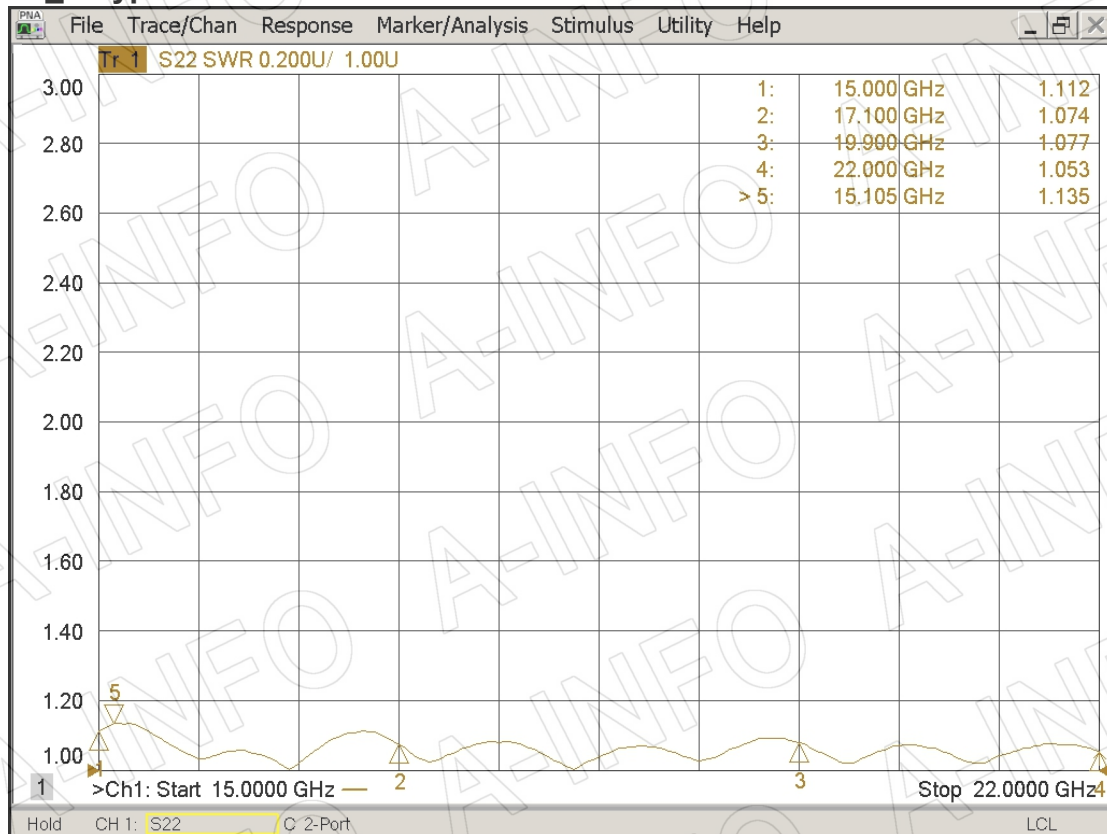




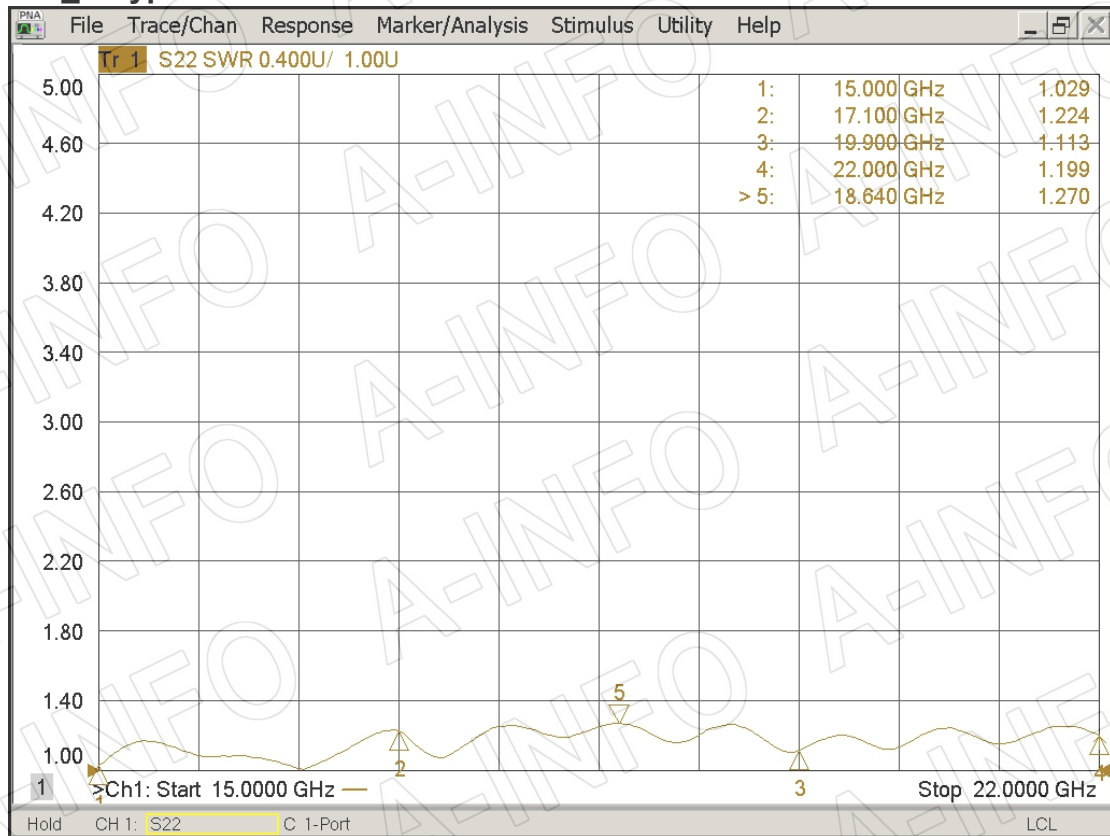
## 2. Cross Polarization Isolation



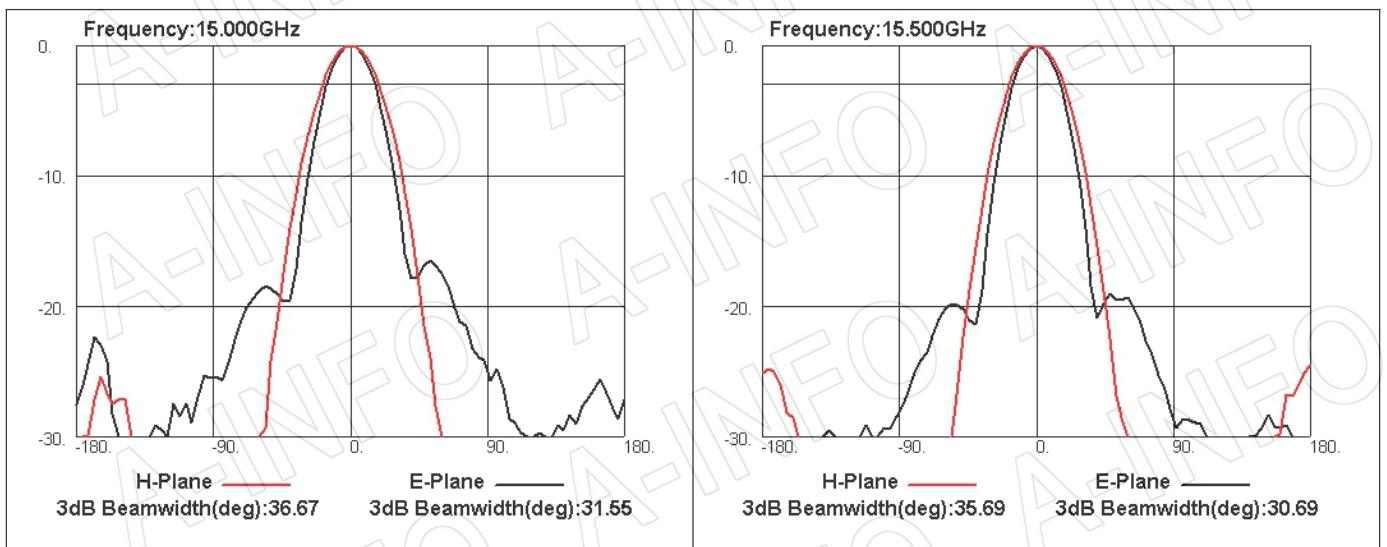
## 3. VSWR\_A Type



## VSWR\_C Type



## 4. Pattern



## AINFO Inc.

China(Beijing): Tel: (+86) 10-6266-7326,  
China(Chengdu): Tel: (+86) 28-8519-2786,  
USA: Tel: (+1) 949-639-9688,

Page 6 of 9

(+86) 10-6266-7327 Fax: (+86) 10-6266-7379  
(+86) 28-8519-3044 Fax: (+86) 28-8519-3068  
(+1) 949-639-9608 Fax: (+1) 949-639-9670

Website: [www.ainfoinc.com](http://www.ainfoinc.com)  
Email: [sales@ainfoinc.com](mailto:sales@ainfoinc.com)

